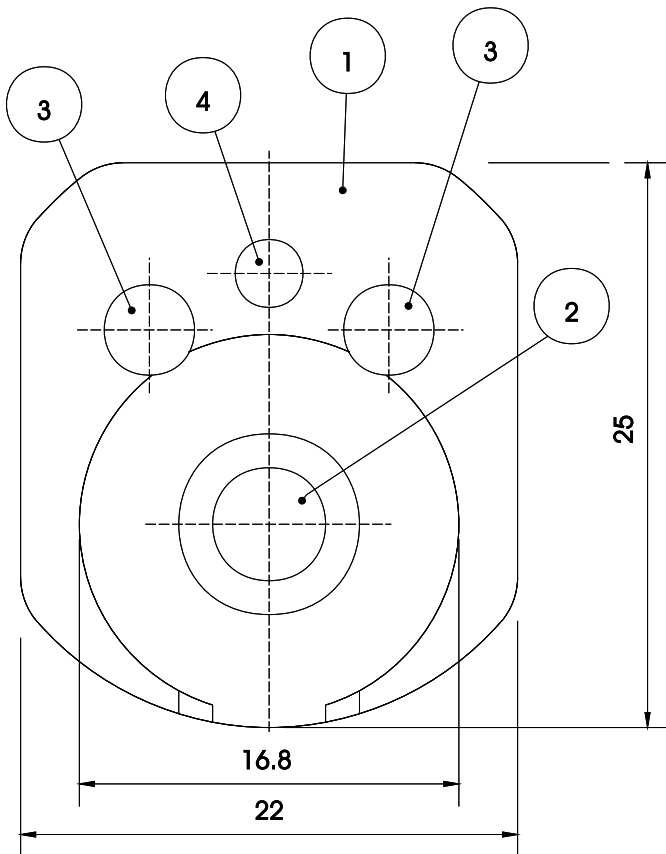
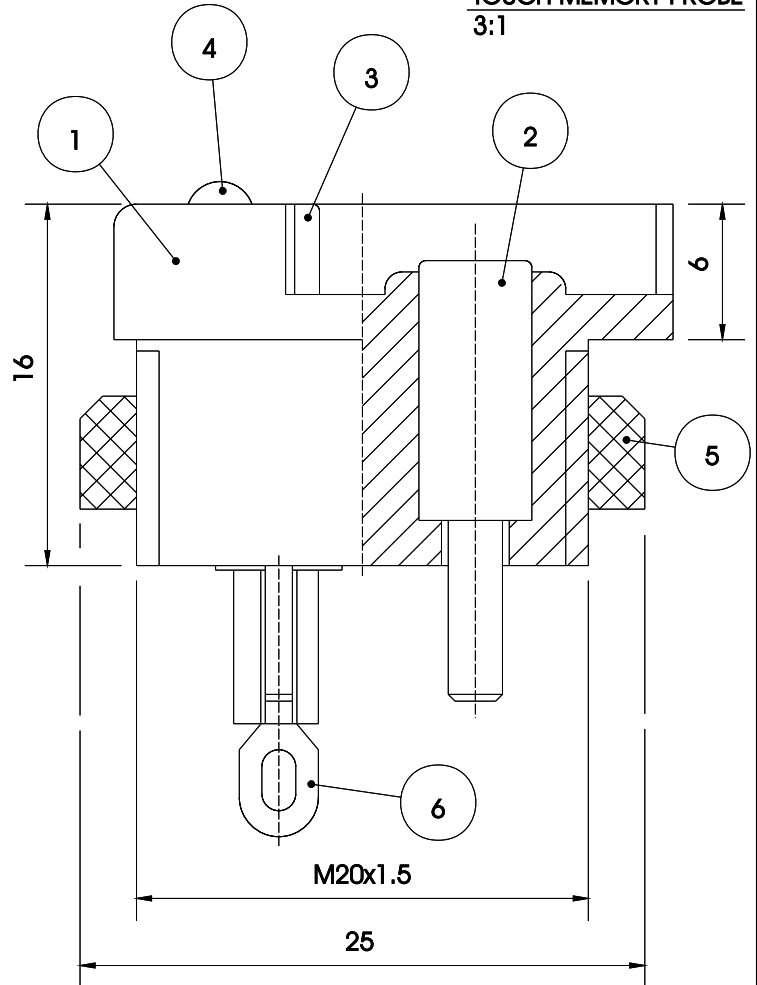
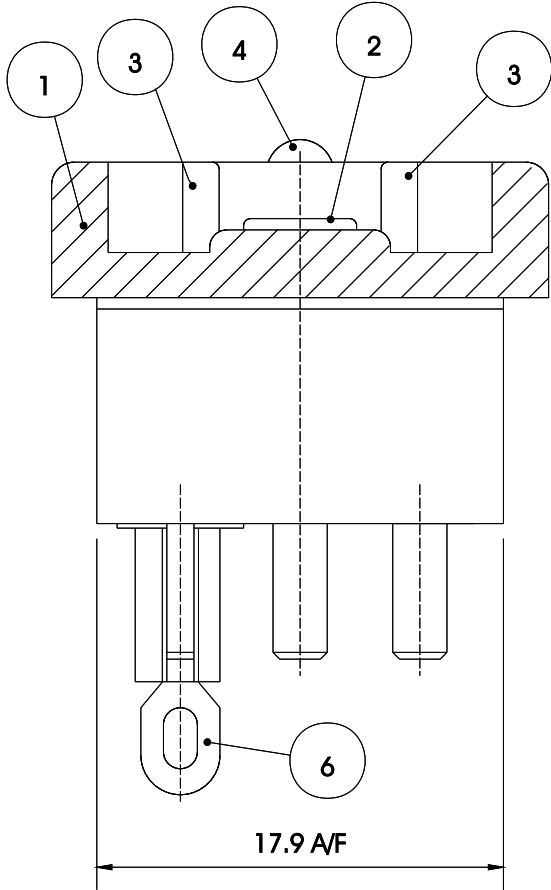


**TOUCH MEMORY PROBE**  
3:1



1. HOUSING- ABS
2. DATA PIN ( $\phi 5$  mm)
3. GROUND PINS ( $\phi 4$  mm)
4. INDICATOR LED. (BI-COLOR, RED&GREEN)
5. MOUNTING NUT- PVC
6. PRESS FIT SOLDER TERMINAL. (LUG)  
3-OFF, ONE FOR EACH PIN

