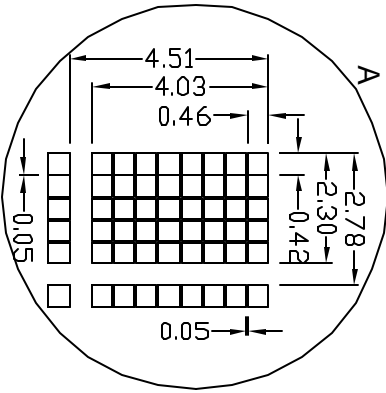
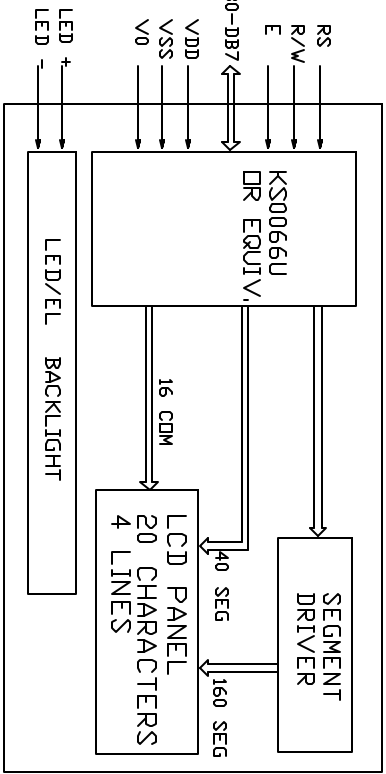


\* FDR LED BACKLIGHT  
 T1=14.0MAX T2=9.0±0.3  
 \* FDR EL DR NO BACKLIGHT  
 T1=10.0MAX T2=5.0±0.3



REVISIONS

NO.	DATE	BY	DESCRIPTION
1	01/06/18	ACH	NEW RELEASE

PINS ASSIGNMENT

NO.	SYMBOL	DESCRIPTION
1	VSS	POWER SUPPLY
2	VDD	POWER SUPPLY
3	V0	OPERATING VOLTAGE FOR LCD
4	RS	DATA/INSTRUCTION SELECT
5	R/W	READ/WRITE CONTROL
6	E	ENABLE SIGNAL
7-14	DB0-DB7	DATA BUS
15	LED +	POWER SUPPLY FOR LED BACKLIGHT (+)
16	LED -	POWER SUPPLY FOR LED BACKLIGHT (-)

ABSOLUTE MAXIMUM RATING

ITEM	SYMBOL	MIN	MAX	UNIT
POWER SUPPLY (LOGIC)	VDD-VSS	-0.3	7.0	V
POWER SUPPLY (LED DRV)	VDD-V0	-0.3	13.5	V
INPUT VOLTAGE	V <sub>I</sub>	-0.3	VDD	V

ELECTRICAL CHARACTERISTICS (VDD=5.0±0.25V, 25°C)

ITEM	SYMBOL	MIN	TYP	MAX	UNIT
VOLTAGE FOR LOGIC	VDD-VSS	4.75	5.0	5.25	V
SUPPLY CURRENT	I <sub>DD</sub>	-	1.0	2.2	mA
VOLTAGE FOR LCD	VDD-V0	-	4.8	-	V
INPUT VOLTAGE	V <sub>IH</sub>	2.2	-	VDD	V
	V <sub>IL</sub>	-0.3	-	0.6	V
OUTPUT VOLTAGE	V <sub>OH</sub>	2.4	-	-	V
	V <sub>OL</sub>	-	-	0.4	V

MECHANICAL SPECIFICATIONS

ITEM	SPECIFICATION	UNIT
OVERALL SIZE	77.0W x 47.0H x 13.5T(10.0T)	MM
VIEWING AREA	60.0W x 22.0H	MM
CHARACTER SIZE	2.30W x 4.03H	MM
CHARACTER PITCH	2.78W x 4.51H	MM

OPTIONS

- LCD TYPE: 1/6 STN, GRAY STN, TN
- BACKLIGHT: WITHOUT BACKLIGHT, LED, EL
- COLOR OF BACKLIGHT: 1/1G, BLUE, WHITE
- TEMPERATURE RANGE: NORMAL(0--50C) EXTENDED(-20--70C)
- POWER SUPPLY: 5.0V, 3.0V
- VIEWING ANGLE: 6H, 12H
- CHARACTER TABLE: JAPANESE, EUROPEAN, CYRILLIC

NT-C2041A

20 CHARACTERS X 4 LINES



NELY, YOUR SUPPLIER, AND YOUR PARTNER!

ALL DIMENSIONS ARE IN MM. TOLERANCE IS +/-0.2 UNLESS OTHERWISE NOTED.

