



DEMIURG&DREXIA

1W-H0-06P BZ MS

RFID reader | 13.56 MHz | Multi System

Product Card



Before use...



Please do not open the reader and do not make any changes. This results in loss of warranty.



In case of any questions please contact with us. We certainly answer to all questions and solve possible problems.



Please carefully read the following information before connecting the reader.



Please contact with us before sending damaged products.



We offer possibility to change input voltage range, cable length and terminate it with a plug. Before make an order please contact with us to determine the details.



Please keep in mind, that there are factors as metal surfaces, which can affect on radio communication and correct reader operation. It is advisable to consult the mounting conditions before use with our staff.

General Information

The RFID reader **1W-H0-06P BZ MS** reads identification data (UID) wireless of passive transponders (cards, tags, etc.) compatible with ISO/IEC14443-3-A (e.g. MIFARE cards) ISO/IEC14443-3-B, ISO 15659, Felica, iClass, ISO 18092.

The built-in two-color LED and Buzzer for any use. The red LED cannot be used to indicate failure or danger.

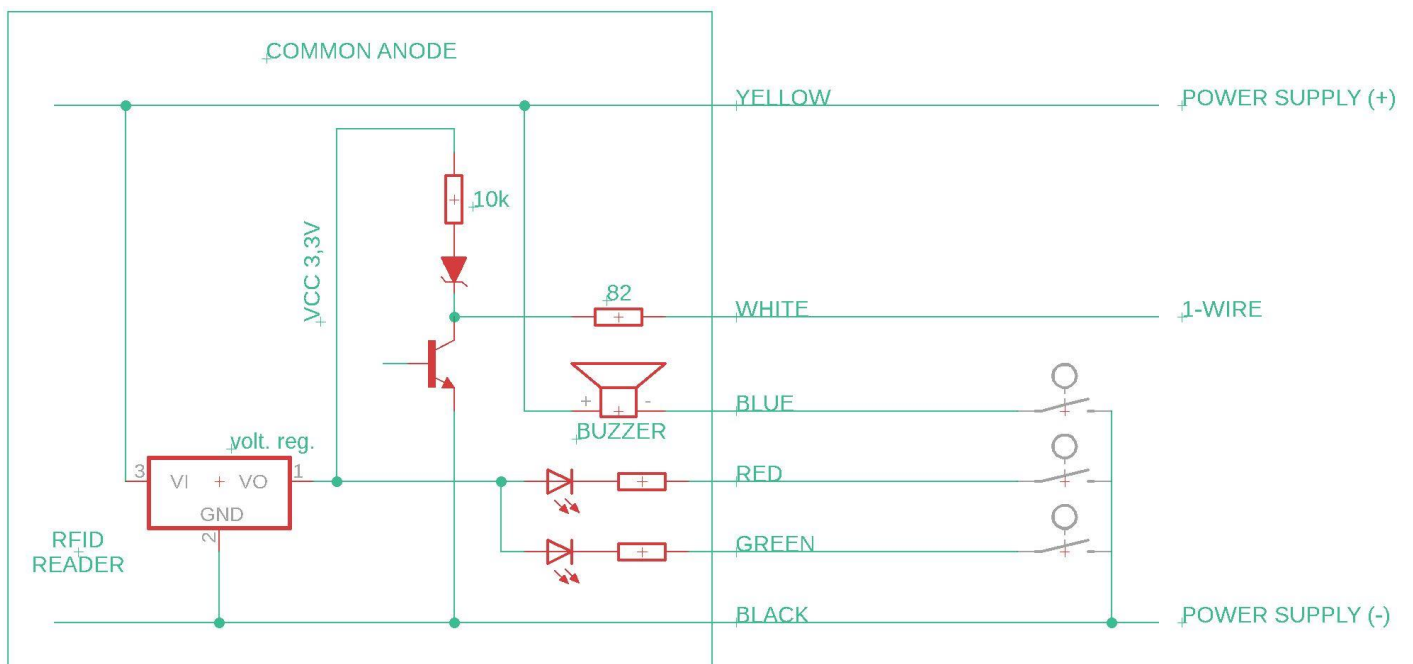
LEDs are powered by internal voltage regulator via built-in resistors. The light is on when the appropriate LED is connected to the minus of power supply.

BUZZER is activated when appropriate BUZZER output is connected to the minus of power supply.

- Black** – power supply (-)
- Yellow** – power supply (+)
- Green** – green LED
- Red** – red LED
- White** – 1-Wire
- Blue** – Buzzer

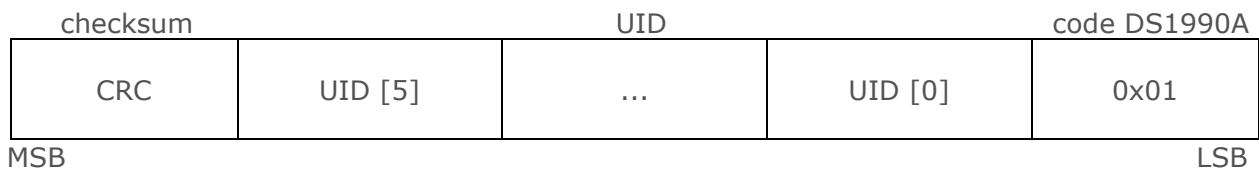
The reader should be connected according to the scheme:

SCHEME



DS1990A emulation

The reader sends the read UID data of the token via the 1-Wire interface, emulating the DS1990A identifier from Maxim (Dallas). In the DS1990A chip from Maxim (Dallas), 6 bytes of UID are allocated for the identifier. Therefore, for tokens with a UID longer than 6 bytes, the 6 least significant bytes of the UID are sent. In the case of tokens with a UID shorter than 6 bytes, the missing (most significant) bytes of the identifier are filled with zeros.



To read the UID of the token, bring the token closer to the RFID reader. Token UID readings are performed cyclically every 500 ms. After correct reading of the identifier, the DS1990A system from Maxim (Dallas) is emulated through the 1-Wire interface.

Technical Data

Power supply	9 – 30 V DC
Power supply efficiency	1 A
Peak current	150 mA
Average receiver current	30 mA (without LED)
Peak receiver current	50 mA
Green LED current	6 mA
Red LED current	6 mA
Buzzer current	35 mA
Peak Buzzer current	70 mA
Frequency	13,56 MHz
Type of transponder	ISO/IEC14443-3-A, ISO/IEC14443-3-B, ISO 15693, Felica, iClass, ISO 18092
Surface of the antenna	8,6 cm ²
Reading range	Up to 7 cm depending on token
Reading frequency	2/s
Supported 1-Wire commands	0x33 (0x0F) - Read ROM 0xF0 - Search ROM
Mounting method	tape, glue, etc.
Cable length	0,4 m (flat cable)
Reader temperature	-20° C +55° C
ROHS	YES